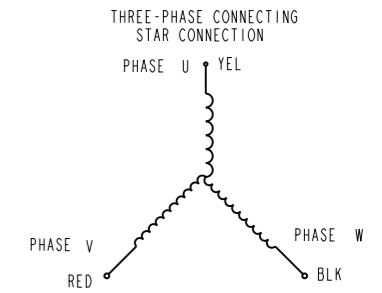
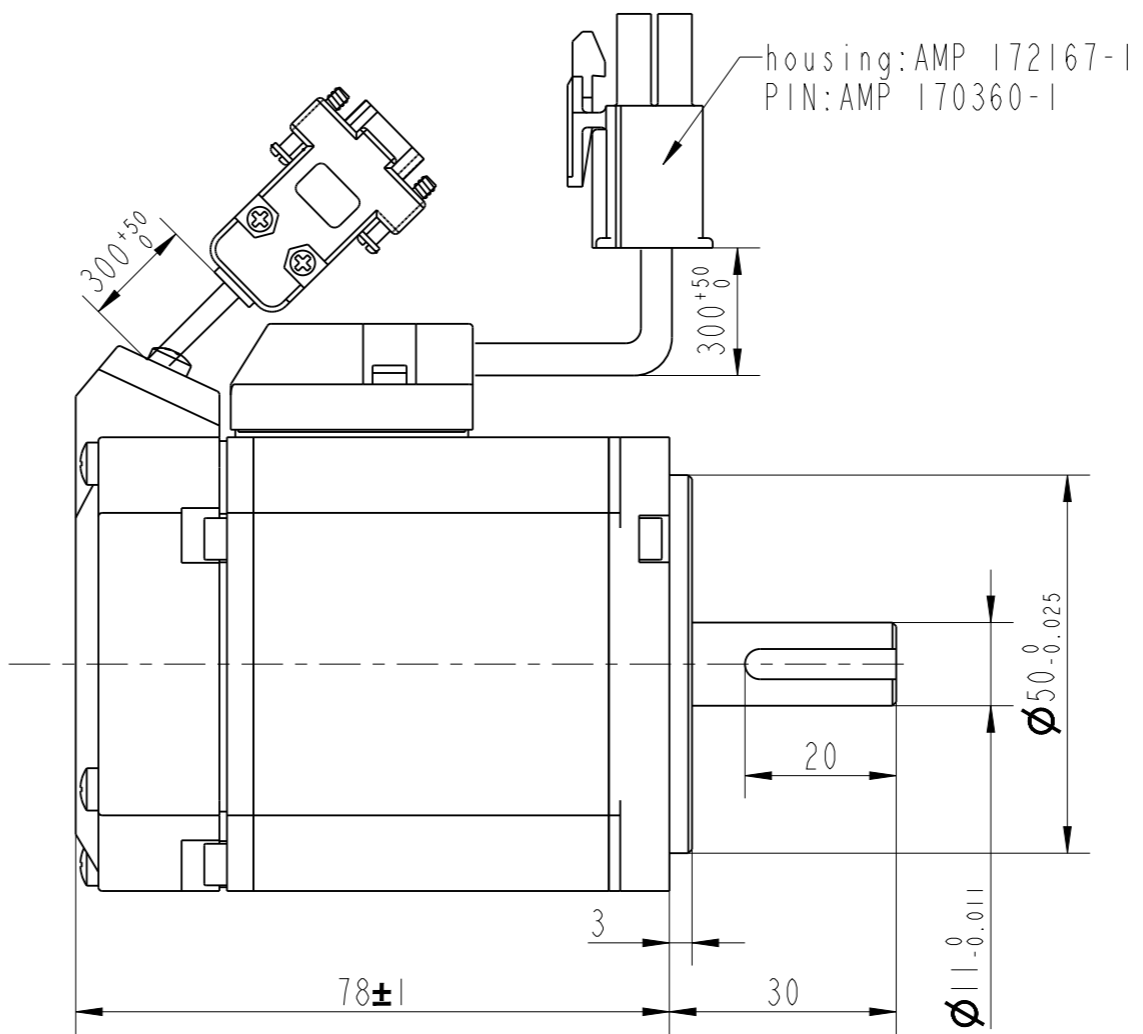
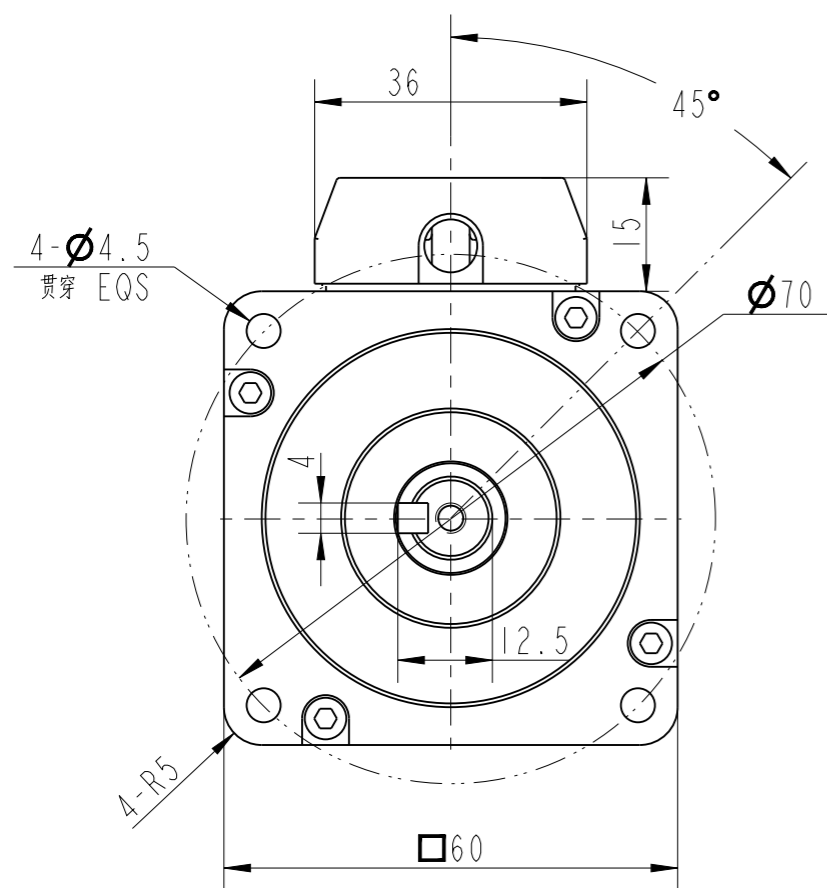
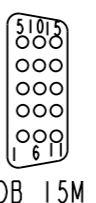


REV	ECN	NO	DESCRIPTION	DRN	APP'D	DATE



编码器出线定义

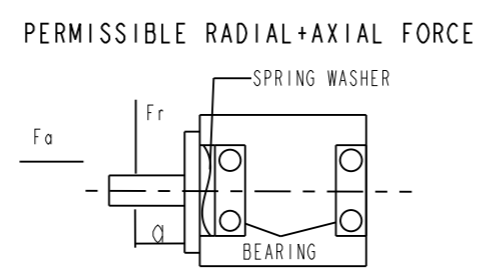
PIN	定义	PIN	定义
1	+5V	9	W+
2	GND	10	V+
3	/	11	Z-
4	U+	12	B-
5	U-	13	A-
6	Z+	14	W-
7	B+	15	V-
8	A+	外壳	SHIELD



电源出线定义

PIN位置	接口定义	引出线颜色
PIN1	U	YEL
PIN2	V	RED
PIN3	W	BLK
PIN4	PE	YEL/GRN

NUMBER OF PHASE	绕组相数	3	Wires for Phases AWG19		
NUMBER OF POLES	极数	10	PHASE U	PHASE V	PHASE W
LINE TO LINE RESISTANCE	线电阻	10.8±10% ohms@20°C	YEL	RED	BLK
LINE TO LINE INDUCTANCE	线电感	17±20% mH@1kHz	Feedback Info		
NOMINAL VOLTAGE	额定电压	220 VAC	Feedback device: 2500ppr incremental optical encoder		
NO LOAD SPEED	空载转速	6900±10% RPM			
NO LOAD CURRENT	空载电流	0.2 A			
RATED TORQUE	额定转矩	0.64 N.m			
RATED SPEED	额定转速	3000 RPM			
RATED CURRENT	额定电流	1.3 A			
PEAK TORQUE	峰值扭矩	1.92 N.m			
PEAK CURRENT	峰值电流	3.9 A			
BACK EMF CONSTANT	反电势常数	32 Vrms/kRPM			
TORQUE CONSTANT	转矩常数	0.53 N.m/A			
INSULATION CLASS	绝缘等级	F 155°C	AXIAL-FORCE	轴向压力	Fa=98 N Max
DIELECTRIC STRENG	介电强度	1800VAC 1SEC	DISTANCE	距离	a=20 mm
INSULATION RESIST	绝缘电阻	100MΩ @500VDC	RADIAL-FORCE	径向压力	Fr=245 N Max
ROTOR INERTIA	转子转动惯量	0.15X10 <sup>-4</sup> Kg.m <sup>2</sup>	SHAFT RADIAL PLAY	径向间隙	/mm Max. 0.04N
WEIGHT	重量	0.9 Kg	SHAFT AXIAL PLAY	轴向间隙	/mm Max. 0.04N
OPERATION AMBIENT	使用环境	Ambient temperature: -20...+50°C, humidity Max.85%(No condensation)			
STORAGE AMBIENT	存储环境	Ambient temperature: -20...+85°C, humidity Max.85%(No condensation)			



REV	ECN NO.	DESCRIPTION	DESIGN	DATE	P/N.	TITLE	SPECIFICATIONS
UNLESS OTHERWISE SPECIFIED		MATERIAL	CONTR.	CHECK	USED ON		
TOLERANCES:					FL60SV20-220V-30EA1		
DECIMALS:					DWG NO.		
.X ±0.5					REV		
.XX ±0.25					A		
.XXX ±0.1							
UNIT: mm		FIRST ANGLE PROJECTION		SCALE 1:1	FULLING MOTOR		
DO NOT SCALE DRAWING				SHEET 1 OF 1			