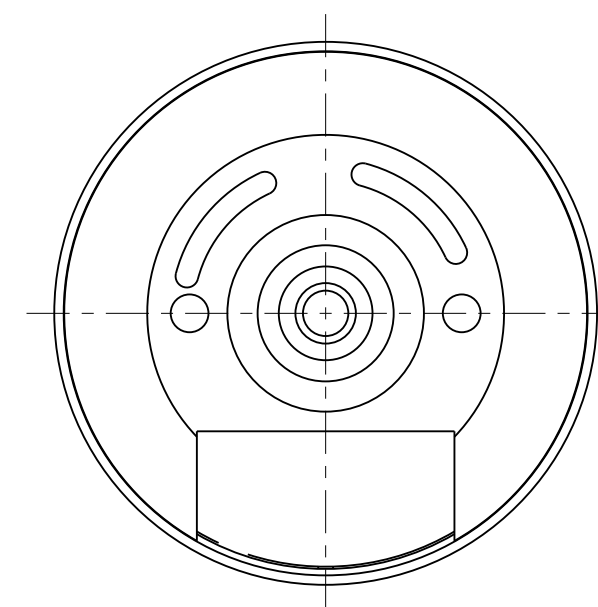
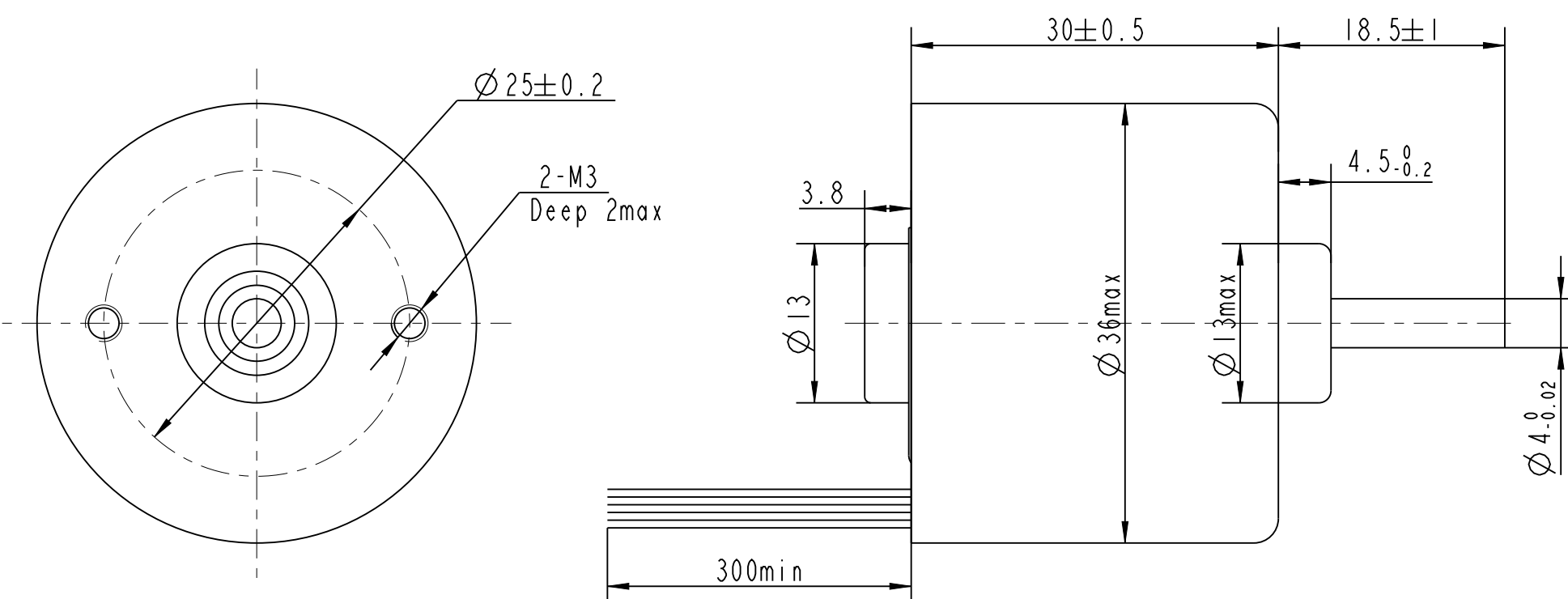


REV	ECN	NO	DESCRIPTION	DRN	APP'D	DATE



从前出轴看, CW

NUMBER OF PHASE	绕组相数	3						
NUMBER OF POLES	极数	8						BRAKE
LINE TO LINE RESISTANCE	线电阻	5.2±10% ohms@20°C						WHT
LINE TO LINE INDUCTANCE	线电感	3.3±20% mH@1kHz	Wires UL1430 +24V/GND AWG24 other AWG26					
NOMINAL VOLTAGE	额定电压	24 VDC	Vcc	F/R	PWM	PG	GND	
NO LOAD SPEED	空载转速	5900±10% RPM	RED	BLU	GRN	YLW	BLK	
NO LOAD CURRENT	空载电流	0.15 A REF	PERMISSIBLE RADIAL+AXIAL FORCE					
RATED TORQUE	额定转矩	15 mN.m						
RATED SPEED	额定转速	4800 RPM						
RATED CURRENT	额定电流	0.5 A						
PEAK TORQUE	峰值转矩	45 mN.m						
PEAK CURRENT	峰值电流	1.3 A						
BACK EMF CONSTANT	反电势常数	2.7±10% Vrms/kRPM						
TORQUE CONSTANT	转矩常数	36 mN.m/A						
INSULATION CLASS	绝缘等级	B 130°C	AXIAL-FORCE	轴向压力	Fa=10 N Max			
DIELECTRIC STRENG	介电强度	600VAC ISEC	DISTANCE	距离	a=10 mm			
INSULATION RESIST	绝缘电阻	100MOhm @500VDC	RADIAL-FORCE	径向压力	Fr=28 N Max			
ROTOR INERTIA	转子转动惯量	6 g.cm ²	SHAFT RADIAL PLAY	径向间隙	0.02mm Max.@4N			
WEIGHT	重量	0.12 Kg	SHAFT AXIAL PLAY	轴向间隙	0.14mm Max.@4N			
OPERATION AMBIENT	使用环境	Ambient temperature:-25...+55°C, humidity Max.85%(No condensation)						
STORAGE AMBIENT	存储环境	Ambient temperature:-25...+85°C, humidity Max.85%(No condensation)						

REV	ECN	NO	DESCRIPTION	DESIGN	DATE	P/N.	TITLE
						3.1.02.036.****	SPECIFICATIONS
UNLESS OTHERWISE SPECIFIED			MATERIAL	CONTR.	CHECK	USED ON	FL36CBL30-24V-488A-1E-02
TOLERANCES:						DWG NO.	REV A
DECIMALS:							
ANGULAR:							
.X ±0.5							
.XX ±0.25							
.XXX ±0.1							
UNIT: mm			FIRST ANGLE PROJECTION	SCALE	2:1	FULLING MOTOR	
DO NOT SCALE DRAWING				SHEET	1 OF 1		