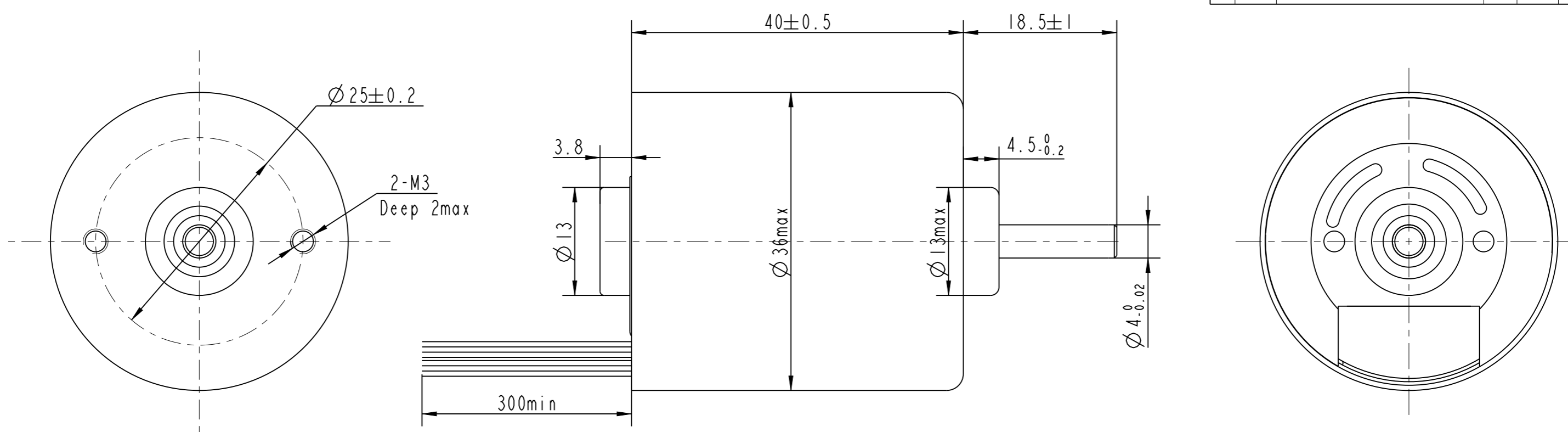
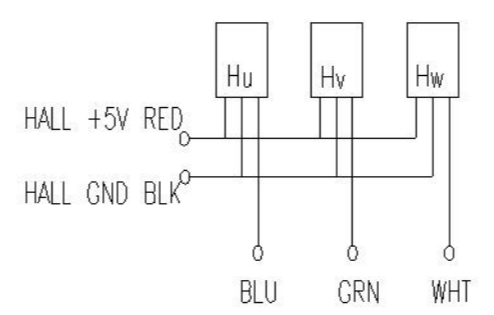


REV	ECN	NO	DESCRIPTION	DRN	APP'D	DATE

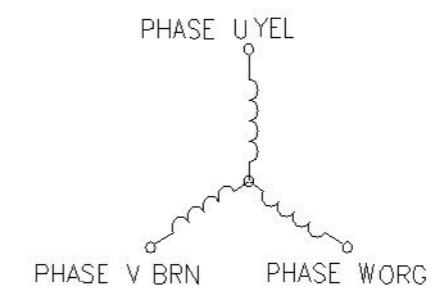


出轴方向看, CW

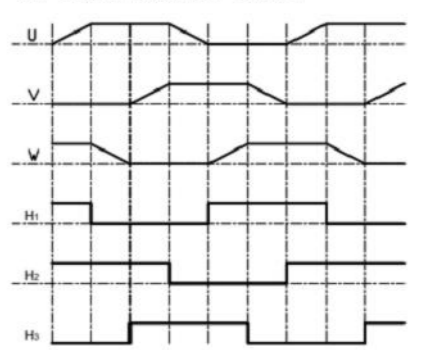
HALL CONNECTING



THREE-PHASE CONNECTING



CW FROM OUTPUT SHAFT



NUMBER OF PHASE	绕组相数	3	Wires for Phases UL1430 AWG24		
NUMBER OF POLES	极数	8	PHASE U	PHASE V	PHASE W
LINE TO LINE RESISTANCE	线电阻	2±10% ohms@20°C	YEL	BRN	ORG
LINE TO LINE INDUCTANCE	线电感	1.75±20% mH@1kHz	Wires for Hall UL1430 AWG26		
NOMINAL VOLTAGE	额定电压	24 VDC	HALL Vc	Hu	Hv
NO LOAD SPEED	空载转速	6000±10% RPM	Hw	HALL Gnd	
NO LOAD CURRENT	空载电流	0.25 A REF	RED	BLU	GRN
RATED TORQUE	额定转矩	35 mN.m		WHT	BLK
RATED SPEED	额定转速	4800±10% RPM	PERMISSIBLE RADIAL+AXIAL FORCE		
RATED CURRENT	额定电流	1 A			
PEAK TORQUE	峰值转矩	105 mN.m			
PEAK CURRENT	峰值电流	2.7 A			
BACK EMF CONSTANT	反电势常数	3±10% Vrms/kRPM			
TORQUE CONSTANT	转矩常数	40 mN.m/A			
INSULATION CLASS	绝缘等级	B 130°C			
DIELECTRIC STRENG	介电强度	600VAC ISEC			
INSULATION RESIST	绝缘电阻	100MΩ @500VDC			
ROTOR INERTIA	转子转动惯量	12g.cm ²			
WEIGHT	重量	0.16Kg	AXIAL-FORCE	轴向压力	Fa=10 N Max
OPERATION AMBIENT	使用环境	Ambient temperature:-25...+55°C, humidity Max.85%(No condensation)	DISTANCE	距离	a=10 mm
STORAGE AMBIENT	存储环境	Ambient temperature:-25...+85°C, humidity Max.85%(No condensation)	RADIAL-FORCE	径向压力	Fr=28 N Max
			SHAFT RADIAL PLAY	径向间隙	0.02mm Max. @4N
			SHAFT AXIAL PLAY	轴向间隙	0.14mm Max. @4N

REV	ECN	NO	DESCRIPTION	DESIGN	DATE	P/N.	TITLE
						3.1.02.036.****	SPECIFICATIONS
UNLESS OTHERWISE SPECIFIED			MATERIAL	CONTR.	CHECK	USED ON	FL36CBL40-24V-4818A-01
TOLERANCES:					APPD	DWG NO.	REV A
DECIMALS:							
ANGULAR:							
UNIT: mm			FIRST ANGLE PROJECTION		SCALE 2:1	FULLING MOTOR	
DO NOT SCALE DRAWING					SHEET 1 OF 1		