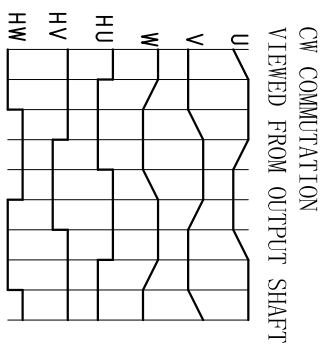
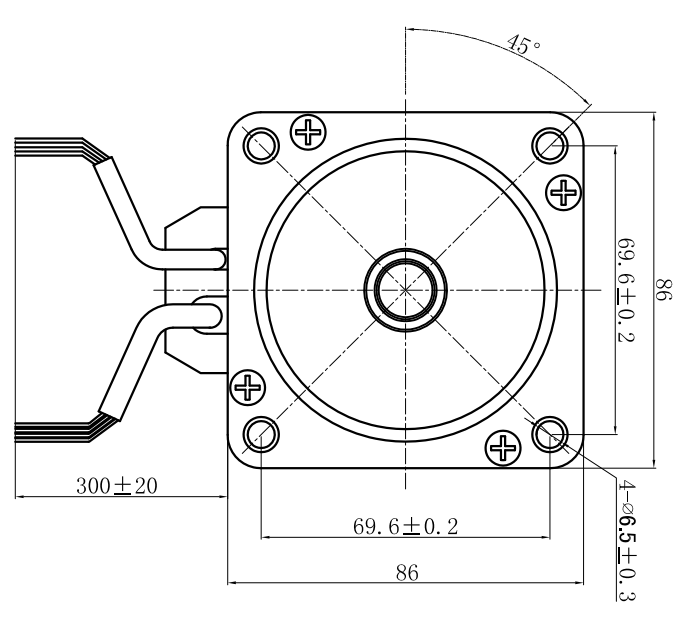
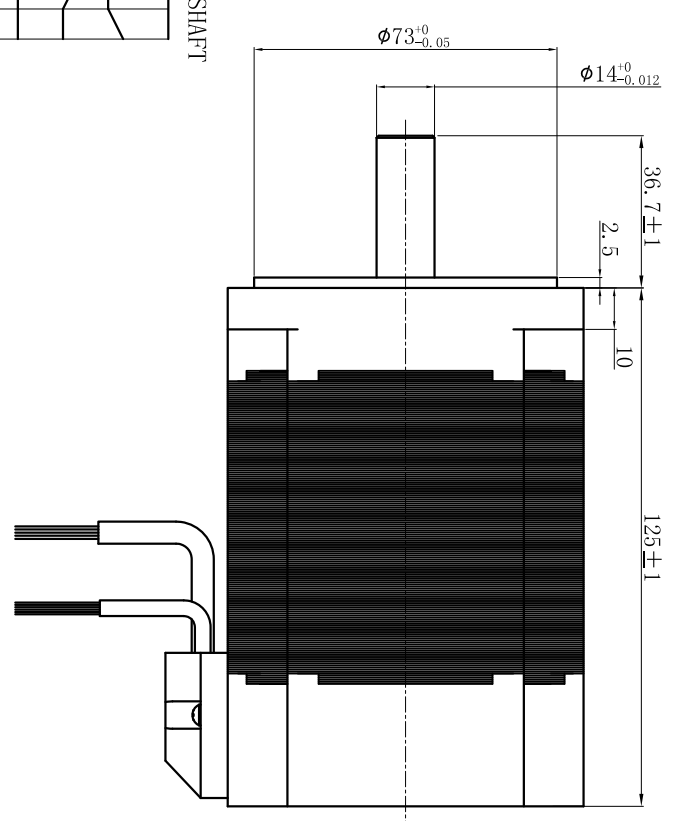
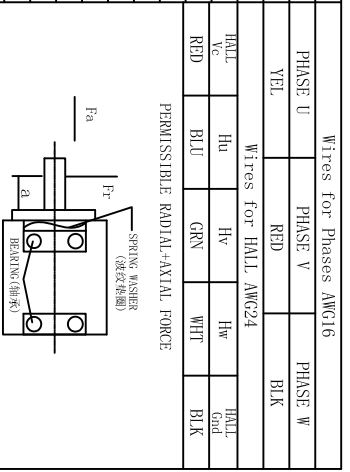


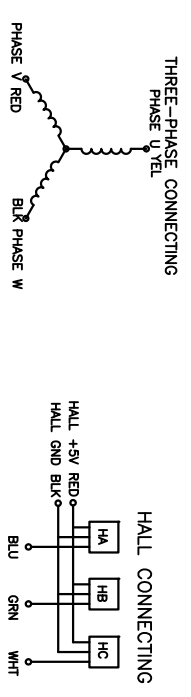
| REV | REV NO. | DESCRIPTION | DRAWN | APPRO | DATE |
|-----|---------|-------------|-------|-------|------|
| | | | | | |
| | | | | | |
| | | | | | |
| | | | | | |



| | | |
|-------------------------|--------|--|
| NUMBER OF PHASE | 绕组相数 | 3 |
| NUMBER OF POLES | 极数 | 8 |
| LINE TO LINE RESISTANCE | 绕组阻 | 0.1 ± 10% ohms@20°C |
| NOMINAL VOLTAGE | 额定电压 | 0.24 ± 20% mV@1kHz |
| NO LOAD SPEED | 空载转速 | 48 VDC |
| NO LOAD CURRENT | 空载电流 | 3400 RPM |
| RATED TORQUE | 额定转矩 | <1 A |
| RATED SPEED | 额定转速 | 2.22 N.m |
| RATED CURRENT | 额定电流 | 3000 RPM |
| PEAK TORQUE | 峰值扭矩 | 17 A |
| PEAK CURRENT | 峰值电流 | 6.66 N.m |
| BACK EMF CONSTANT | 反电动势常数 | 51 A |
| TORQUE CONSTANT | 转矩常数 | 9.7 Vrms/kRPM |
| INSULATION CLASS | 绝缘等级 | 0.131 N.m/A |
| DIELECTRIC STRENG | 介电强度 | B 130°C |
| INSULATION RESIST | 绝缘电阻 | 1200VAC 1SEC |
| ROTOR INERTIA | 转子转动惯量 | 100MΩmm @500VDC |
| WEIGHT | 重量 | 2400 g·cm ² |
| OPERATION AMBIENT | 使用环境 | 4 Kg |
| STORAGE AMBIENT | 存储环境 | Ambient temperature:-20...+50°C, humidity Max. 85% (No condensation) |
| | | Ambient temperature:-20...+85°C, humidity Max. 85% (No condensation) |



| | | | | | |
|--------------------------------|------|---------------------------|-----|---------|-----|
| PHASE U | YEL | PHASE V | RED | PHASE W | BLK |
| Wires for HALL AWG24 | | | | | |
| HALL | Hu | Hv | Hw | Hall | Gnd |
| RED | BLU | GRN | WHT | BLK | BLK |
| PERMISSIBLE RADIAL+AXIAL FORCE | | | | | |
| AXIAL FORCE | 轴向压力 | F _a = 10 N Max | | | |
| RADIAL FORCE | 径向压力 | F _r = 28 N Max | | | |
| SHAFT RADIAL PLAY | 径向间隙 | 0.02mm Max @4N | | | |
| SHAFT AXIAL PLAY | 轴向间隙 | 0.14mm Max @4N | | | |
| DISTANCE | 距离 | G = 10 mm | | | |
| TOLERANCES: .x ± 0.5 | | | | | |
| .xxx ± 0.25 | | | | | |
| .000 ± 0.1 | | | | | |
| UNIT: mm | | | | | |
| DO NOT SCALE DRAWING | | | | | |



| REV | REV NO. | DESCRIPTION | DATE | P./N. |
|------------------------|---------|-------------|-------|--------------|
| | | | | |
| TOLERANCES: .x ± 0.5 | | | | |
| .xxx ± 0.25 | | | | |
| .000 ± 0.1 | | | | |
| UNIT: mm | | | | |
| DO NOT SCALE DRAWING | | | | |
| DESCRIPTION | | | | P./N. |
| MATERIAL | | CNTR | CHECK | DATE |
| FIRST ANGLE PROJECTION | | | | |
| SCALE 1:1 | | | | SHEET 1 OF 1 |
| Specifications | | | | |
| USED ON | | | | |
| DWG NO. | | | | REV |
| PULLING MOTOR | | | | A |