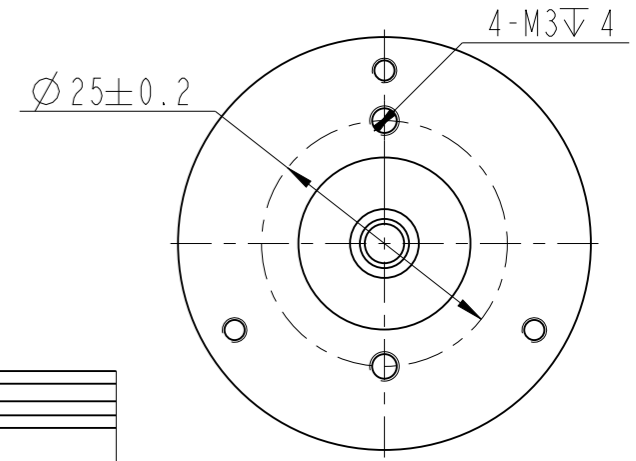
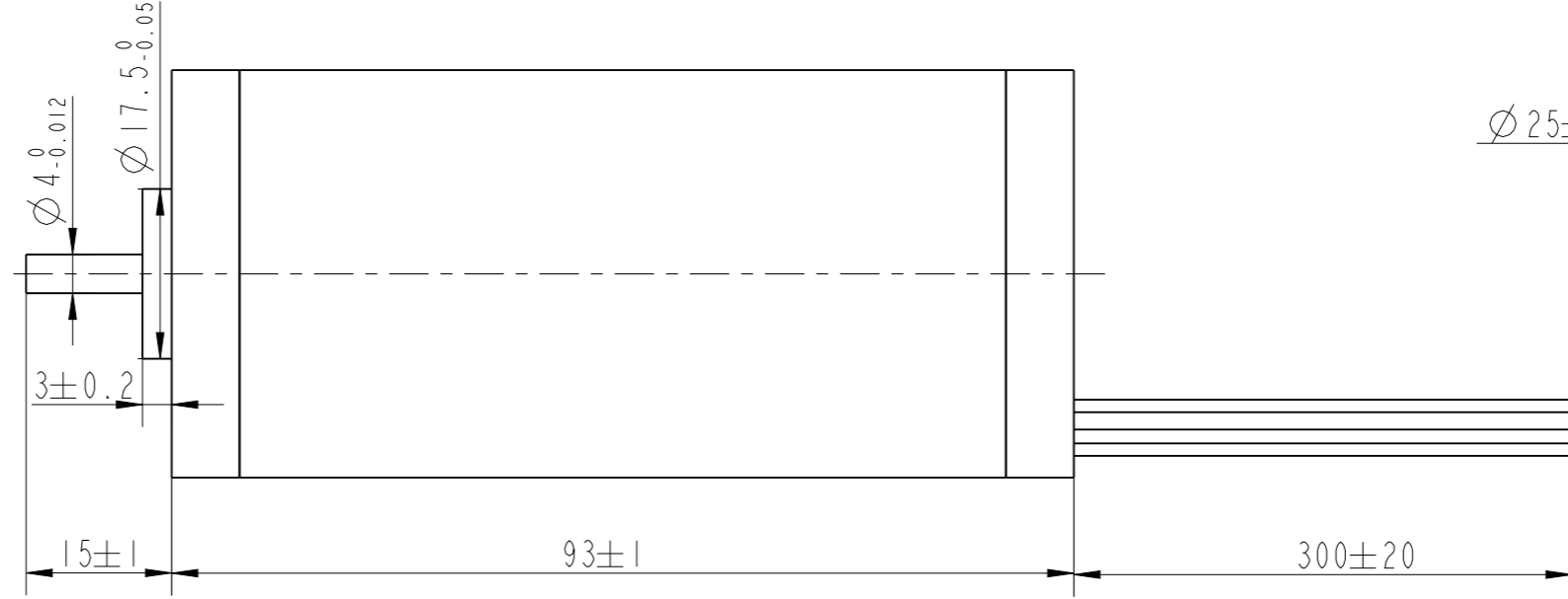
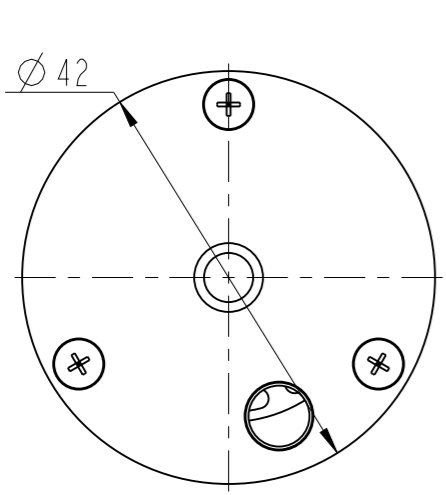
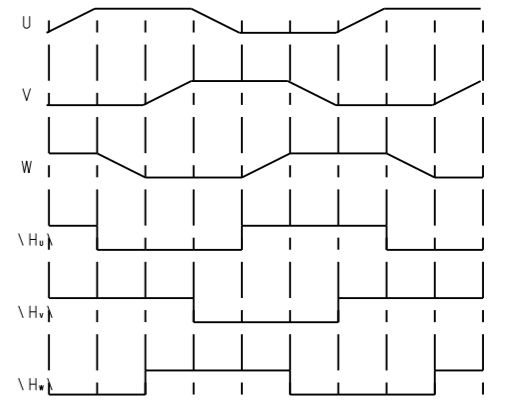


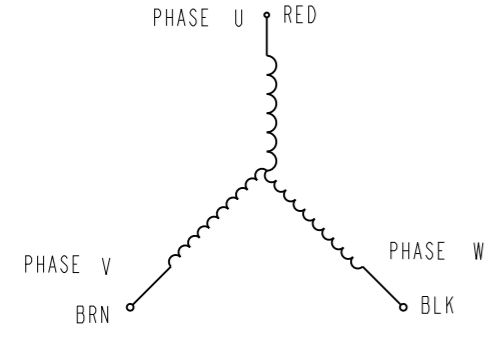
REV	ECN	NO	DESCRIPTION	DRN	APP'D	DATE



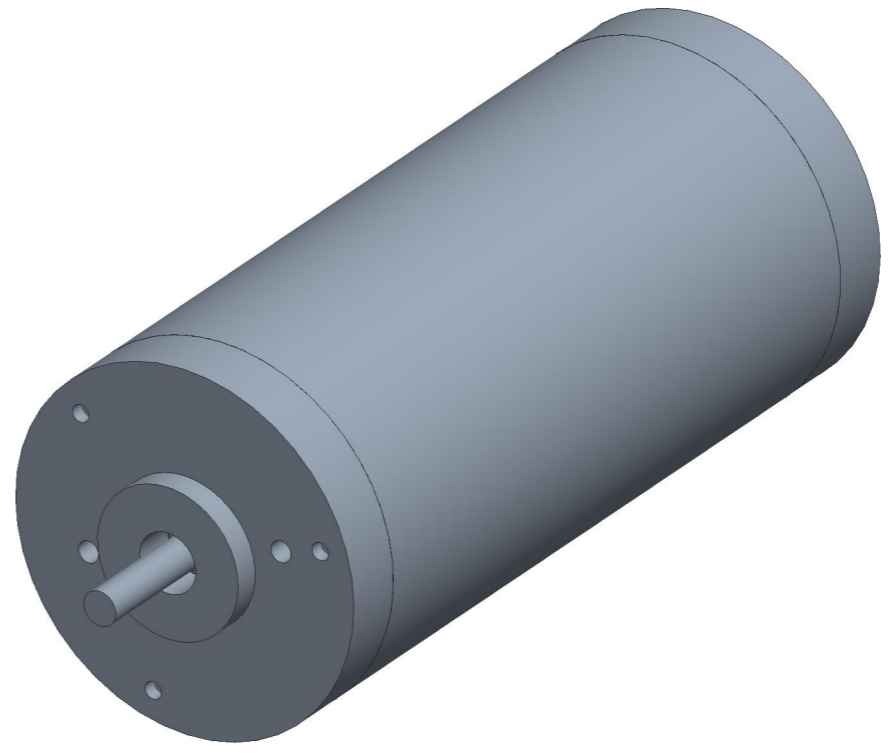
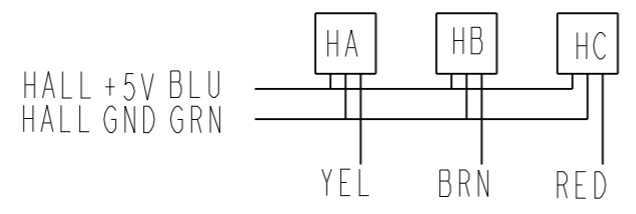
CW COMMUTATION VIEWED FROM OUTPUT SHAFT



THREE-PHASE CONNECTING STAR CONNECTION



HALL CONNECTING



NUMBER OF PHASE	绕组相数	3	Wires for Phases UL1007 AWG22		
NUMBER OF POLES	极数	8	PHASE U	PHASE V	PHASE W
LINE TO LINE RESISTANCE	线电阻	0.325±10% ohms@20°C	RED	BRN	BLK
LINE TO LINE INDUCTANCE	线电感	0.36±20% mH@1kHz	Wires for Hall UL1007 AWG26		
NOMINAL VOLTAGE	额定电压	24 VDC	HALL Vc	Hu	Hv
NO LOAD SPEED	空载转速	8000±10% RPM	Hw	HALL Gnd	
NO LOAD CURRENT	空载电流	<0.55 A	BLU	YEL	BRN
RATED TORQUE	额定转矩	0.115 N.m	RED		
RATED SPEED	额定转速	6300 RPM			
RATED CURRENT	额定电流	4 A			
PEAK TORQUE	峰值扭矩	0.35 N.m			
PEAK CURRENT	峰值电流	12 A			
BACK EMF CONSTANT	反电势常数	2.27±10% Vrms/kRPM			
TORQUE CONSTANT	转矩常数	0.036±10% N.m/A			
INSULATION CLASS	绝缘等级	B 130°C	PERMISSIBLE RADIAL+AXIAL FORCE		
DIELECTRIC STRENG	介电强度	650VAC ISEC			
INSULATION RESIST	绝缘电阻	100MOhm @500VDC	AXIAL-FORCE	轴向压力	Fa=10 N Max
ROTOR INERTIA	转子转动惯量	94g.cm ²	DISTANCE	距离	a=10 mm
WEIGHT	重量	0.8Kg	RADIAL-FORCE	径向压力	Fr=28 N Max
OPERATION AMBIENT	使用环境	Ambient temperature:-20...+80°C, humidity Max.85%(No condensation)	SHAFT RADIAL PLAY	径向间隙	0.02mm Max.@4N
STORAGE AMBIENT	存储环境	Ambient temperature:-10...+85°C, humidity Max.85%(No condensation)	SHAFT AXIAL PLAY	轴向间隙	0.14mm Max.@4N

REV	ECN NO.	DESCRIPTION	DESIGN	DATE	P/N.
					3.1.02.042.
UNLESS OTHERWISE SPECIFIED		MATERIAL	CONTR.	CHECK	TITLE
TOLERANCES:					SPECIFICATIONS
DECIMALS:					USED ON
.X	±0.5				FL42RBL93-24V-6375A-P
.XX	±0.25				DWG NO.
.XXX	±0.1				REV
UNIT: mm		FIRST ANGLE PROJECTION	SCALE 13:10		A
DO NOT SCALE DRAWING			SHEET 1 OF 1	FULLING MOTOR	