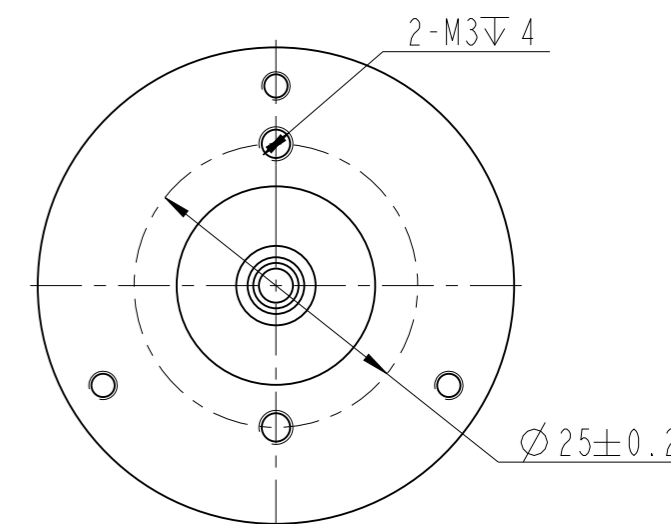
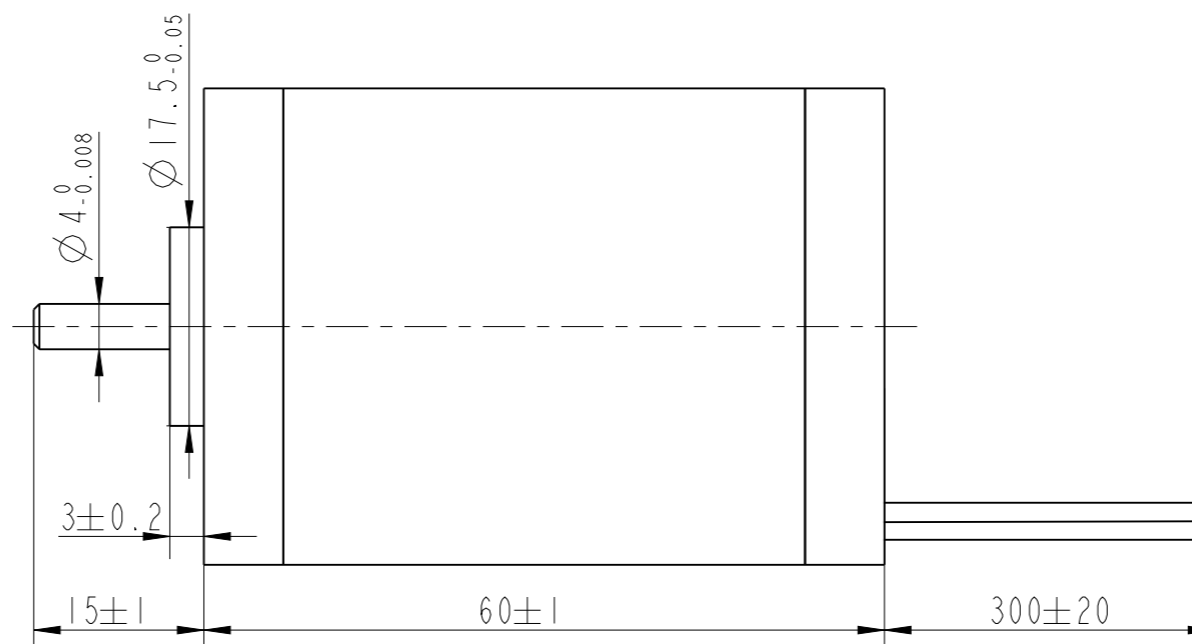
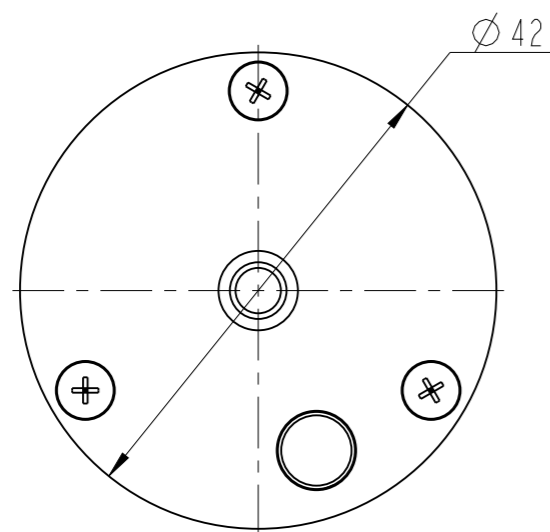
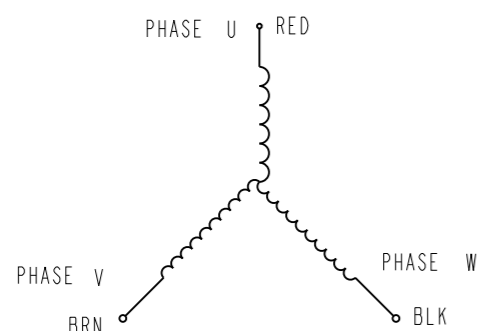


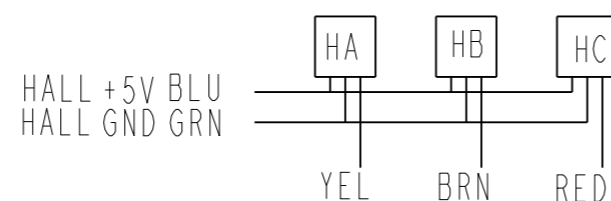
REV	ECN	NO	DESCRIPTION	DRN	APP'D	DATE



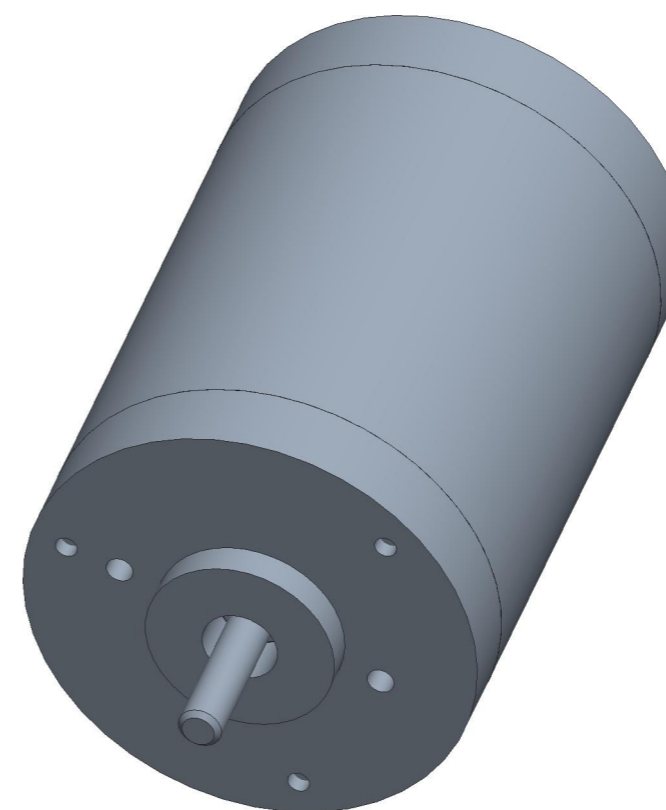
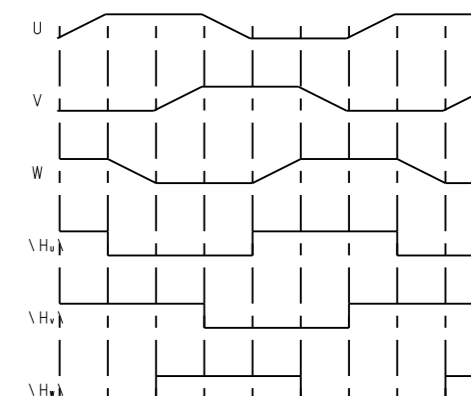
THREE-PHASE CONNECTING
STAR CONNECTION



HALL CONNECTING



CW COMMUTATION VIEWED
FROM OUTPUT SHAFT



NUMBER OF PHASE	绕组相数	3	Wires for Phases UL1007 AWG22				
NUMBER OF POLES	极数	8	PHASE U	PHASE V	PHASE W		
LINE TO LINE RESISTANCE	线电阻	1.6 ±10% ohms@20°C	RED	BRN	BLK		
LINE TO LINE INDUCTANCE	线电感	1.94 ±20% mH@1kHz	Wires for Hall UL1007 AWG26				
NOMINAL VOLTAGE	额定电压	24 VDC	HALL Vc	Hu	Hv	Hw	HALL Gnd
NO LOAD SPEED	空载转速	5600±10% RPM	BLU	YEL	BRN	RED	GRN
NO LOAD CURRENT	空载电流	<0.4 A	PERMISSIBLE RADIAL+AXIAL FORCE 				
RATED TORQUE	额定转矩	0.056 N.m					
RATED SPEED	额定转速	4200 RPM					
RATED CURRENT	额定电流	1.4 A					
PEAK TORQUE	峰值扭矩	0.18N.m					
PEAK CURRENT	峰值电流	4.5 A					
BACK EMF CONSTANT	反电势常数	3.04±10% Vrms/kRPM					
TORQUE CONSTANT	转矩常数	38.5±10% mN.m/A					
INSULATION CLASS	绝缘等级	B 130°C					
DIELECTRIC STRENG	介电强度	650VAC ISEC					
INSULATION RESIST	绝缘电阻	100MΩm @500VDC	DISTANCE	距离	a=10 mm		
ROTOR INERTIA	转子转动惯量	33g.cm ²	RADIAL-FORCE	径向压力	Fr=28 N Max		
WEIGHT	重量	0.4Kg	SHAFT RADIAL PLAY	径向间隙	0.02mm Max.@4N		
OPERATION AMBIENT	使用环境	Ambient temperature:-20...+50°C, humidity Max.85%(No condensation)					
STORAGE AMBIENT	存储环境	Ambient temperature:-10...+85°C, humidity Max.85%(No condensation)					

REV	ECN	NO	DESCRIPTION	DESIGN	DATE	P/N.	TITLE
UNLESS OTHERWISE SPECIFIED			MATERIAL	CONTR.	CHECK	***	
TOLERANCES:					SPECIFICATIONS		
DECIMALS:					USED ON		
.X	±0.5	ANGULAR:			FL42RBL60-24V-4030A-P		
.XX	±0.25	±0°30'			DWG NO.		
.XXX	±0.1				REV A		
UNIT: mm			FIRST ANGLE PROJECTION		SCALE 3:2		
DO NOT SCALE DRAWING					SHEET 1 OF 1		
						FULLING MOTOR	