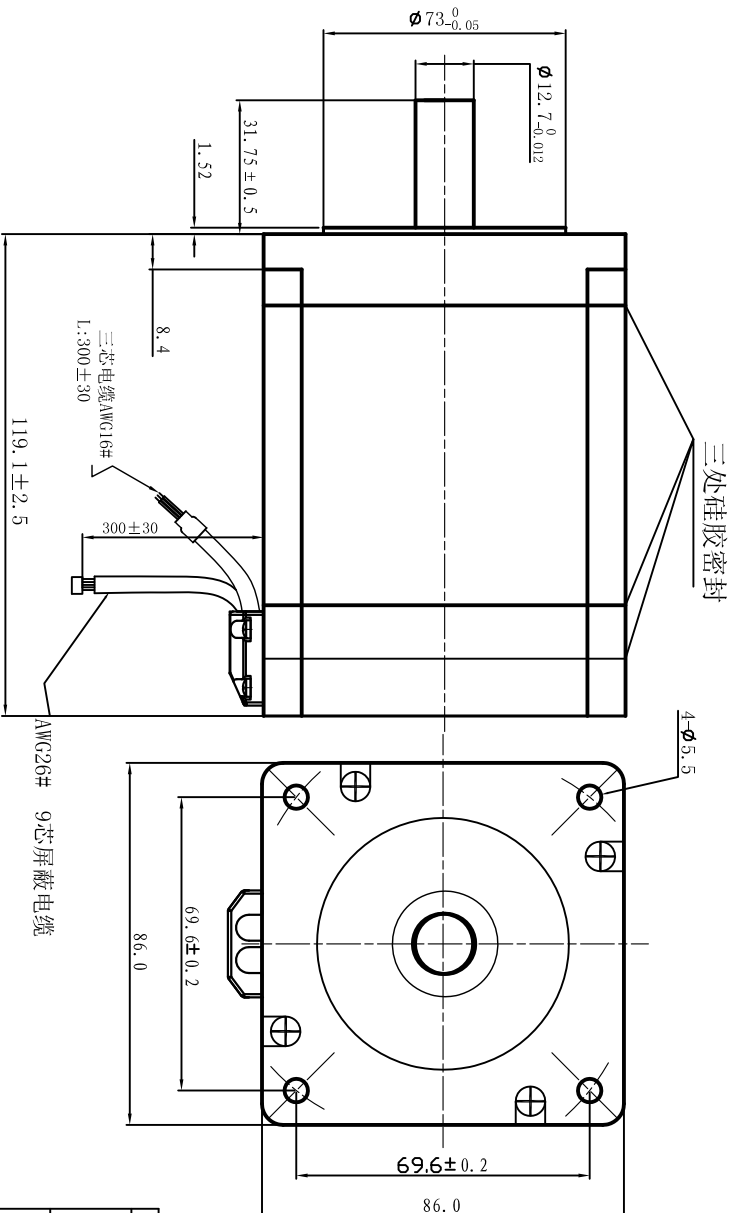
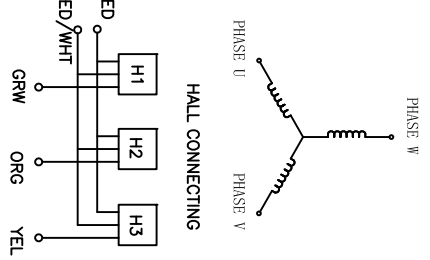
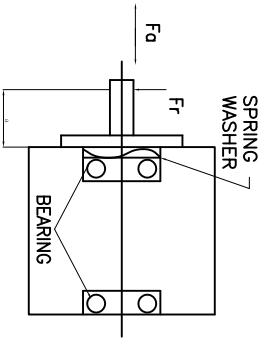


THREE-PHASE CONNECTING



| | | |
|-------------------------|--------|---|
| NUMBER OF PHASE | 绕组相数 | 3 |
| NUMBER OF POLES | 极数 | 8 |
| LINE TO LINE RESISTANCE | 线电阻 | 0.16±15% ohms@20°C |
| LINE TO LINE INDUCTANCE | 线电感 | 0.5±15% mH@1kHz |
| NOMINAL VOLTAGE | 额定电压 | 48 VDC |
| NO LOAD SPEED | 空载转速 | 3400RPM±10% |
| NO LOAD CURRENT | 空载电流 | 1.3A±20% |
| RATED TORQUE | 额定转矩 | 1.4N.m |
| RATED SPEED | 额定转速 | 3000RPM±10% |
| RATED CURRENT | 额定电流 | 11 A |
| PEAK TORQUE | 峰值转矩 | 4.2N.m |
| PEAK CURRENT | 峰值电流 | 33.5 A |
| BACK EMF CONSTANT | 反电势常数 | 9.4 Vrms/(kRPM±10%) |
| TORQUE CONSTANT | 转矩常数 | 0.127N.m/A |
| INSULATION CLASS | 绝缘等级 | B 130°C |
| DIELECTRIC STRENGTH | 介电强度 | 600VAC 1S |
| INSULATION RESISTANCE | 绝缘电阻 | 100M Ω m @500VDC |
| ROTOR INERTIA | 转子转动惯量 | 1600 g.cm ² |
| WEIGHT | 重量 | 3.15kg |
| OPERATION AMBIENT | 使用环境 | Ambient temperature:-20...+50°C, humidity Max. 85%(No condensation) |
| STORAGE AMBIENT | 存储环境 | Ambient temperature:-20...+85°C, humidity Max. 85%(No condensation) |

PERMISSIBLE RADIAL+AXIAL FORCE



| 插件件型号 | pin序 | 引出线颜色 | 信号定义 |
|------------------------|------|-------|-----------|
| AMP1-172167 -9 4芯公插 | pin1 | 黄色 | U相 |
| | pin2 | 红色 | V相 |
| | pin3 | 黑色 | W相 |
| | pin1 | 红白色 | GND |
| AMP1-172169 -9 9芯公插 | pin2 | 红色 | Vcc (+5V) |
| | pin3 | 蓝色 | EA- |
| | pin4 | 蓝黑色 | EA+ |
| | pin5 | 黑色 | EB- |
| | pin6 | 黑白色 | EB+ |
| | pin7 | 棕色 | HA |
| | pin8 | 橙色 | HB |
| | pin9 | 黄色 | HC |

| | | | |
|----------------------------|---------|---------------|----------------|
| REV | ECN NO. | DESCRIPTION | DATE |
| UNLESS OTHERWISE SPECIFIED | | | |
| TOLERANCES | | ANGULAR | |
| .X | ±0.5 | ±0° 30' | |
| .XXX | ±0.25 | | |
| .XXX | ±0.1 | | |
| UNIT: mm | | | |
| DO NOT SCALE DRAWING | | | |
| DESIGN | DATE | P/N | 3.1.07.0** |
| CHECK | | TITLE | Specifications |
| APPD | | USED ON | FL86SVA03 |
| | | DWG NO. | REV A |
| SCALE | OF | PULLING MOTOR | |