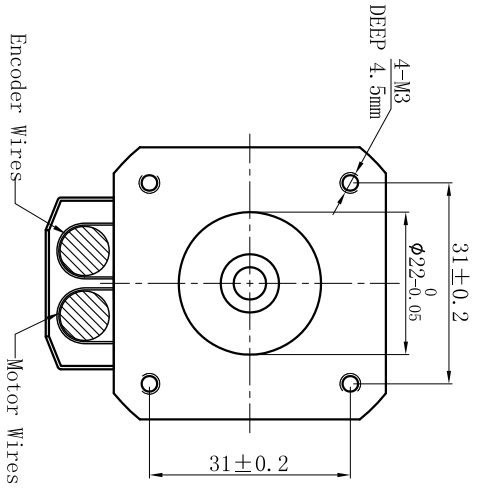
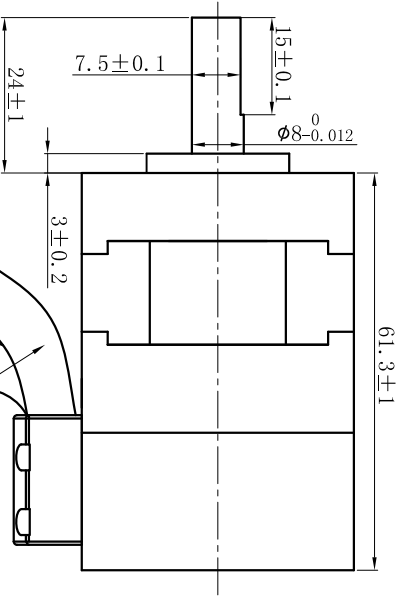
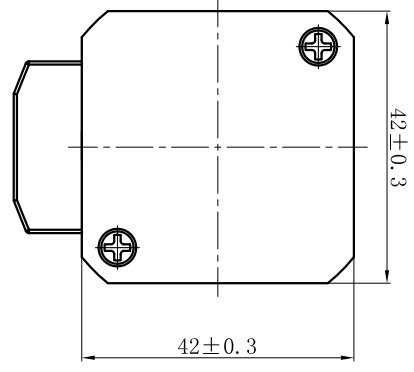
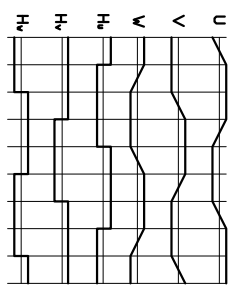


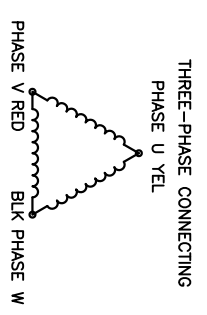
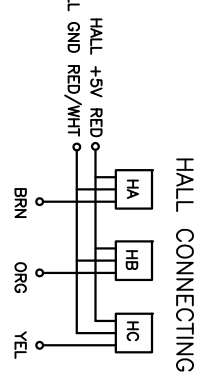
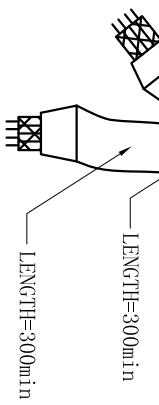
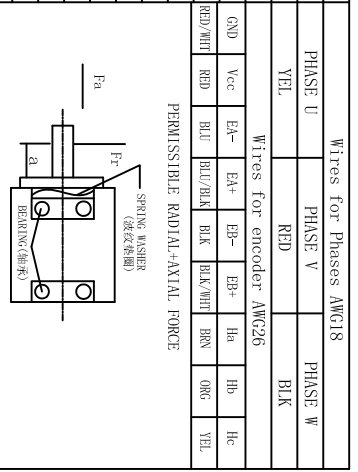
REV	EQ. NO.	DESCRIPTION	DRN	APPD	DATE



CCW COMMUTATION:
VIEWED FROM OUTPUT SHAFT



NUMBER OF PHASE	绕组相数	3	PHASE U	PHASE V	PHASE W
NUMBER OF POLES	极数	8	YEL	RED	BLK
LINE TO LINE RESISTANCE	线电阻	1.15 ± 10% ohms@20°C	Wires for encoder AWG26		
NOMINAL VOLTAGE	额定电压	1.73 ± 20% mV@1KHz	RED	BLK	BLK
NO LOAD SPEED	空载转速	7600 ± 10% RPM	RED	BLK	BLK
NO LOAD CURRENT	空载电流	< 0.5 A	RED	BLK	BLK
RATED TORQUE	额定转矩	0.0625 N.m	RED	BLK	BLK
RATED SPEED	额定转速	5000 ± 10% RPM	RED	BLK	BLK
RATED CURRENT	额定电流	2.1 A	RED	BLK	BLK
PEAK TORQUE	峰值转矩	0.19 N.m	RED	BLK	BLK
PEAK CURRENT	峰值电流	6.25 A	RED	BLK	BLK
BACK EMF CONSTANT	反电动势常数	2.23 ± 10% Vrms/kRPM	RED	BLK	BLK
TORQUE CONSTANT	转矩常数	0.03 N.m/A	RED	BLK	BLK
INSULATION CLASS	绝缘等级	B 130°C	RED	BLK	BLK
DIELECTRIC STRENGTH	介电强度	600VAC 1SRC	RED	BLK	BLK
INSULATION RESIST	绝缘电阻	100MΩmm @500VDC	RED	BLK	BLK
ROTOR INERTIA	转子转动惯量	24 gr.cm ²	RED	BLK	BLK
WEIGHT	重量	0.3 Kg	RED	BLK	BLK
OPERATION AMBIENT	使用环境	Ambient temperature:-20...+40° C, humidity Max. 85% (No condensation)	RED	BLK	BLK
STORAGE AMBIENT	存储环境	Ambient temperature:-20...+60° C, humidity Max. 85% (No condensation)	RED	BLK	BLK



REV	EQ. NO.	DESCRIPTION	DATE	P./N.

REVISIONS	DESCRIPTION	DATE	BY	CHKD

REVISIONS	DESCRIPTION	DATE	BY	CHKD

REVISIONS	DESCRIPTION	DATE	BY	CHKD

REVISIONS	DESCRIPTION	DATE	BY	CHKD

REVISIONS	DESCRIPTION	DATE	BY	CHKD

REVISIONS	DESCRIPTION	DATE	BY	CHKD

REVISIONS	DESCRIPTION	DATE	BY	CHKD

REVISIONS	DESCRIPTION	DATE	BY	CHKD

REVISIONS	DESCRIPTION	DATE	BY	CHKD

REVISIONS	DESCRIPTION	DATE	BY	CHKD

REVISIONS	DESCRIPTION	DATE	BY	CHKD

REVISIONS	DESCRIPTION	DATE	BY	CHKD

REVISIONS	DESCRIPTION	DATE	BY	CHKD

REVISIONS	DESCRIPTION	DATE	BY	CHKD

REVISIONS	DESCRIPTION	DATE	BY	CHKD

REVISIONS	DESCRIPTION	DATE	BY	CHKD

REVISIONS	DESCRIPTION	DATE	BY	CHKD

REVISIONS	DESCRIPTION	DATE	BY	CHKD

REVISIONS	DESCRIPTION	DATE	BY	CHKD

REVISIONS	DESCRIPTION	DATE	BY	CHKD

REVISIONS	DESCRIPTION	DATE	BY	CHKD

REVISIONS	DESCRIPTION	DATE	BY	CHKD

REVISIONS	DESCRIPTION	DATE	BY	CHKD

REVISIONS	DESCRIPTION	DATE	BY	CHKD

REVISIONS	DESCRIPTION	DATE	BY	CHKD

REVISIONS	DESCRIPTION	DATE	BY	CHKD

REVISIONS	DESCRIPTION	DATE	BY	CHKD

REVISIONS	DESCRIPTION	DATE	BY	CHKD

REVISIONS	DESCRIPTION	DATE	BY	CHKD

REVISIONS	DESCRIPTION	DATE	BY	CHKD

REVISIONS	DESCRIPTION	DATE	BY	CHKD

REVISIONS	DESCRIPTION	DATE	BY	CHKD

REVISIONS	DESCRIPTION	DATE	BY	CHKD

REVISIONS	DESCRIPTION	DATE	BY	CHKD

REVISIONS	DESCRIPTION	DATE	BY	CHKD

REVISIONS	DESCRIPTION	DATE	BY	CHKD

REVISIONS	DESCRIPTION	DATE	BY	CHKD

REVISIONS	DESCRIPTION	DATE	BY	CHKD

REVISIONS	DESCRIPTION	DATE	BY	CHKD

REVISIONS	DESCRIPTION	DATE	BY	CHKD

REVISIONS	DESCRIPTION	DATE	BY	CHKD

REVISIONS	DESCRIPTION	DATE	BY	CHKD

REVISIONS	DESCRIPTION	DATE	BY	CHKD

REVISIONS	DESCRIPTION	DATE	BY	CHKD

REVISIONS	DESCRIPTION	DATE	BY	CHKD

REVISIONS	DESCRIPTION	DATE	BY	CHKD

REVISIONS	DESCRIPTION	DATE	BY	CHKD

REVISIONS	DESCRIPTION	DATE	BY	CHKD

REVISIONS	DESCRIPTION	DATE	BY	CHKD

REVISIONS	DESCRIPTION	DATE	BY	CHKD

REVISIONS	DESCRIPTION	DATE	BY	CHKD

REVISIONS	DESCRIPTION	DATE	BY	CHKD

REVISIONS	DESCRIPTION	DATE	BY	CHKD

REVISIONS	DESCRIPTION	DATE	BY	CHKD

REVISIONS	DESCRIPTION	DATE	BY	CHKD

REVISIONS	DESCRIPTION	DATE	BY	CHKD

REVISIONS	DESCRIPTION	DATE	BY	CHKD

REVISIONS	DESCRIPTION	DATE	BY	CHKD

REVISIONS	DESCRIPTION	DATE	BY	CHKD

REVISIONS	DESCRIPTION	DATE	BY	CHKD

REVISIONS	DESCRIPTION	DATE	BY	CHKD

REVISIONS	DESCRIPTION	DATE	BY	CHKD

REVISIONS	DESCRIPTION	DATE	BY	CHKD

REVISIONS	DESCRIPTION	DATE	BY	CHKD

REVISIONS	DESCRIPTION	DATE	BY	CHKD

REVISIONS	DESCRIPTION	DATE	BY	CHKD
	</			