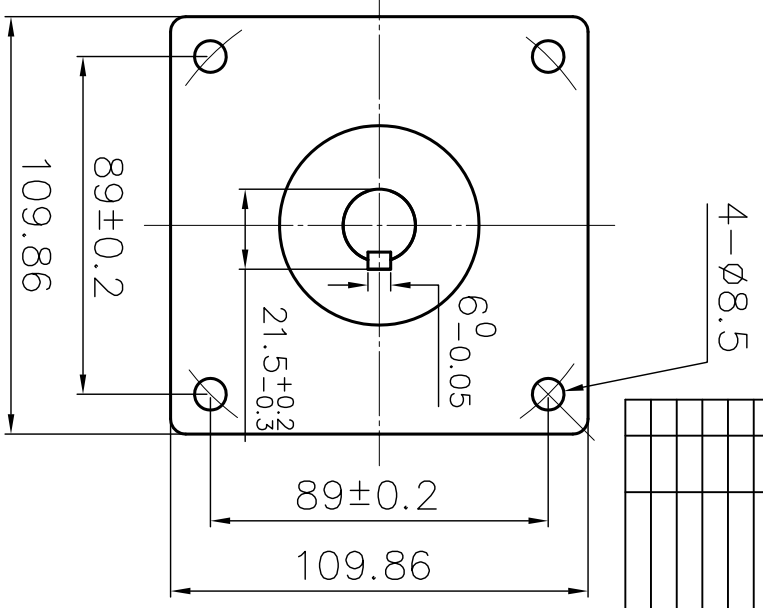
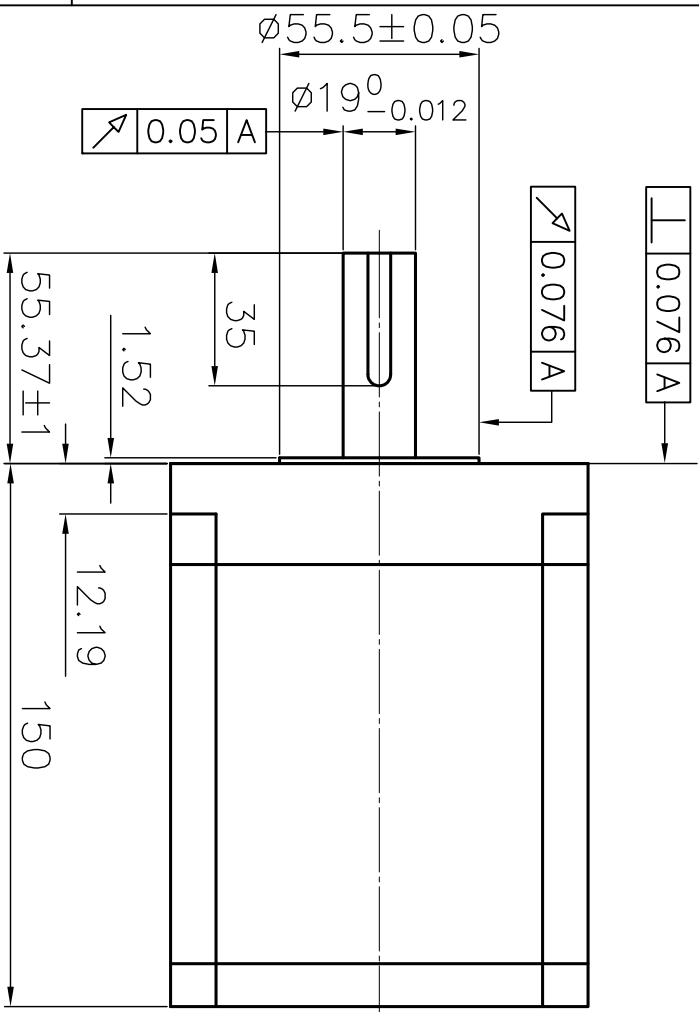


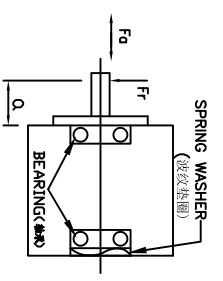
REV	ECN NO.	DESCRIPTION	DRAWN	APP'D	DATE



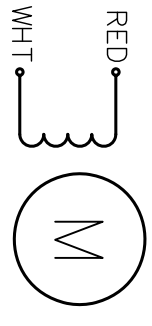
SPECIFICATION

STEP ANGLE	步距角	1.8°/full step (步距)
STEP ANGLE ACCURACY	步距角精度	±5%
NUMBER OF PHASE	绕组相数	2
RATED VOLTAGE	额定电压	4.68VDC
RATED CURRENT	额定电流	6.5A
RESISTANCE/PHASE	每相电阻	0.72±10% ohms@20°C
INDUCTANCE/PHASE	每相电感	11.5±20% mH@1kHz
HOLDING TORQUE	保持转矩	21N.m <small>(2 phase on)</small>
PULL OUT TORQUE	运行转矩	N.m@ RPM
BACK EMF	反电势	V @300RPM
DETTENT TORQUE	定位转矩	N.cm
ROTOR INERTIA	转子转动惯量	5900 g.cm ²
WEIGHT	重量	8.4kg
TEMPERATURE RISE	温升	Less than 80K (4#90#)
SOURCE VOLTAGE	驱动器电压	70-180 VAC
INSULATION CLASS	绝缘等级	B 150°C
Dielectric STRENGTH	介电强度	1200VAC 1s
INSULATION RESISTANCE	绝缘电阻	100MΩhm @500VDC
IP CODE	防护等级	IP30
OPERATION AMBIENT	使用环境	Ambient temperature:-20...+50°C,humidity Max. 85%(No condensation)
STORAGE AMBIENT	存储环境	Ambient temperature:-20...+85°C,humidity Max. 85%(No condensation)

PERMISSIBLE RADIAL+AXIAL FORCE
(允许轴端力和轴端力)



Wiring diagram



FULL STEP, PARALLEL BIPOLAR

CW DIRECTION	STEP	A	C	B	D
↑	1	+		+	
	2		+		+
	3			+	
	4	+			+
	1	+			+

CW, VIEW FROM FRONT SHAFT END

REV	ECN NO.	DESCRIPTION	DRAWN	APP'D	DATE	DESIGN	DATE	P/N
UNLESS OTHERWISE SPECIFIED		MATERIAL	CONTR.	CHECK	TITLE Specifications			
TOLERANCES:					USED ON	FL110STH150-6504A		
ANGULAR:					DWG NO.			
.x	±0.5				APPD	REV	A	
.xxx	±0.25							
.xxx	±0.1							
UNIT: mm		FIRST ANGLE PROJECTION	SCALE	NTS	PULLING MOTOR			
DO NOT SCALE DRAWING			SHEET	OF				