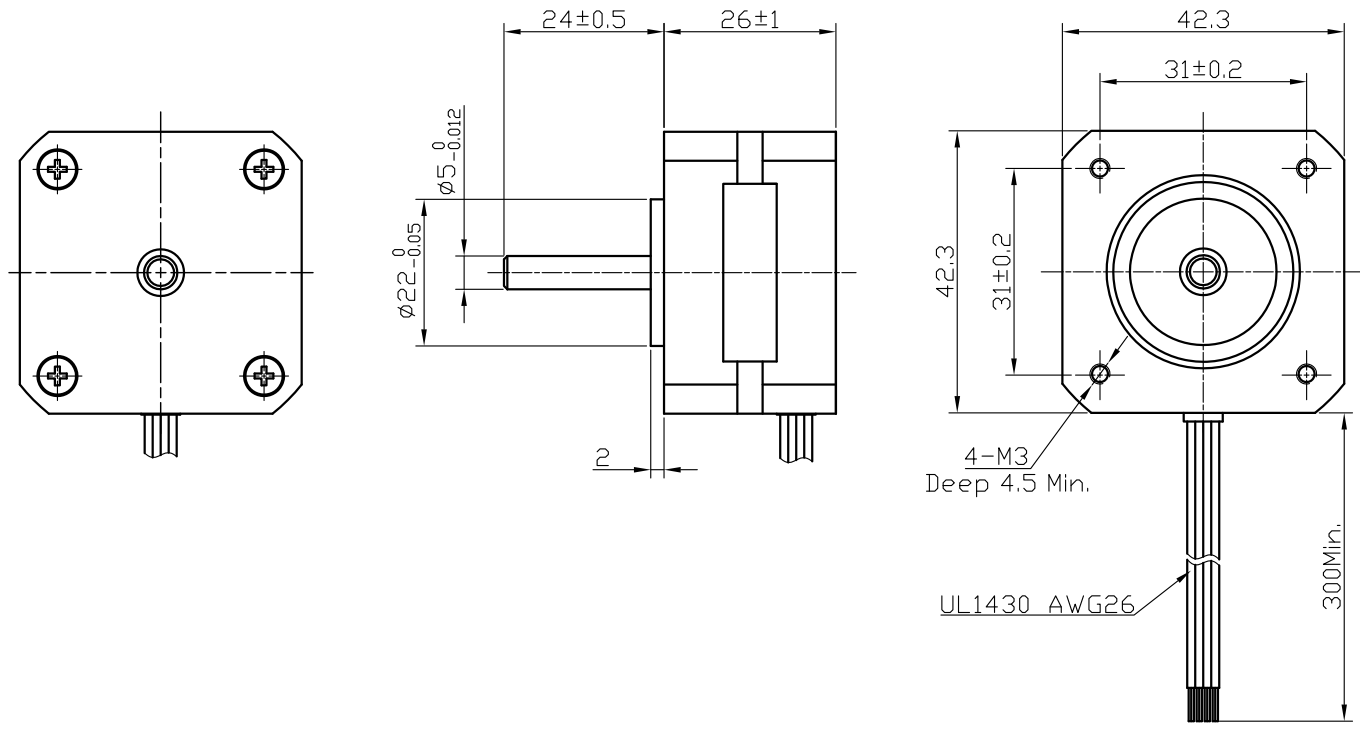
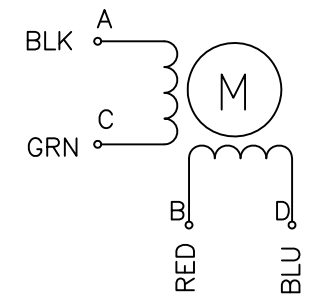


REV	ECN NO.	DESCRIPTION	DRN	APP'D	DATE



Wiring Diagram(接线图)



Exciting Sequence (励磁顺序)

CW DIRECTION	STEP	A	C	B	D
↓	1	+		+	
	2		+	+	
	3		+		+
	4	+			+
	1	+		+	

CW, see from flange side
(顺时针, 从法兰侧看)

SPECIFICATION

STEP ANGLE	步距角	1.8°/full step(整步)	<p>PERMISSIBLE RADIAL+AXIAL FORCE (允许的轴向和径向力)</p>
STEP ANGLE ACCURACY	步距角精度	±5%	
NUMBER OF PHASE	绕组相数	2	
RATED VOLTAGE	额定电压	9.6 V	
RATED CURRENT	额定电流	0.4 A	
RESISTANCE/PHASE	每相电阻	24±10% ohms@20°C	
INDUCTANCE/PHASE	每相电感	30±20% mH@1kHz	
HOLDING TORQUE	保持转矩	1700 g.cm	
PULL OUT TORQUE	运行转矩		
BACK EMF	反电动势		
DETENT TORQUE	定位转矩		
ROTOR INERTIA	转子转动惯量	20 g.cm ²	
WEIGHT	重量	150 g	
TEMPERATURE RISE	温升	Less than 80K(小于80度)	
SOURCE VOLTAGE	驱动器电压	24 VDC	
INSULATION CLASS	绝缘等级	B 130°C	
DIELECTRIC STRENGTH	介电强度	500VAC 1MIN	
INSULATION RESISTANCE	绝缘电阻	100MΩ @500VDC	
IP CODE	防护等级	IP30	
OPERATION AMBIENT	使用环境	Ambient temperature:-20...+50°C, humidity Max. 85%(No condensation)	
STORAGE AMBIENT	存储环境	Ambient temperature:-20...+85°C, humidity Max. 85%(No condensation)	

DESIGN	DATE	P/N.	3.1.01.042.****
TITLE	Specifications		
USED ON	FL42STH25-0404A		
DWG NO.		REV	A
FIRST ANGLE PROJECTION	SCALE	NTS	
	SHEET	OF	
FULLING MOTOR			

UNLESS OTHERWISE SPECIFIED TOLERANCES
 DECIMALS: .x ±0.5 .xx ±0.25 .xxx ±0.1
 ANGULAR: ±0°30'
 UNIT: mm
 DO NOT SCALE DRAWING