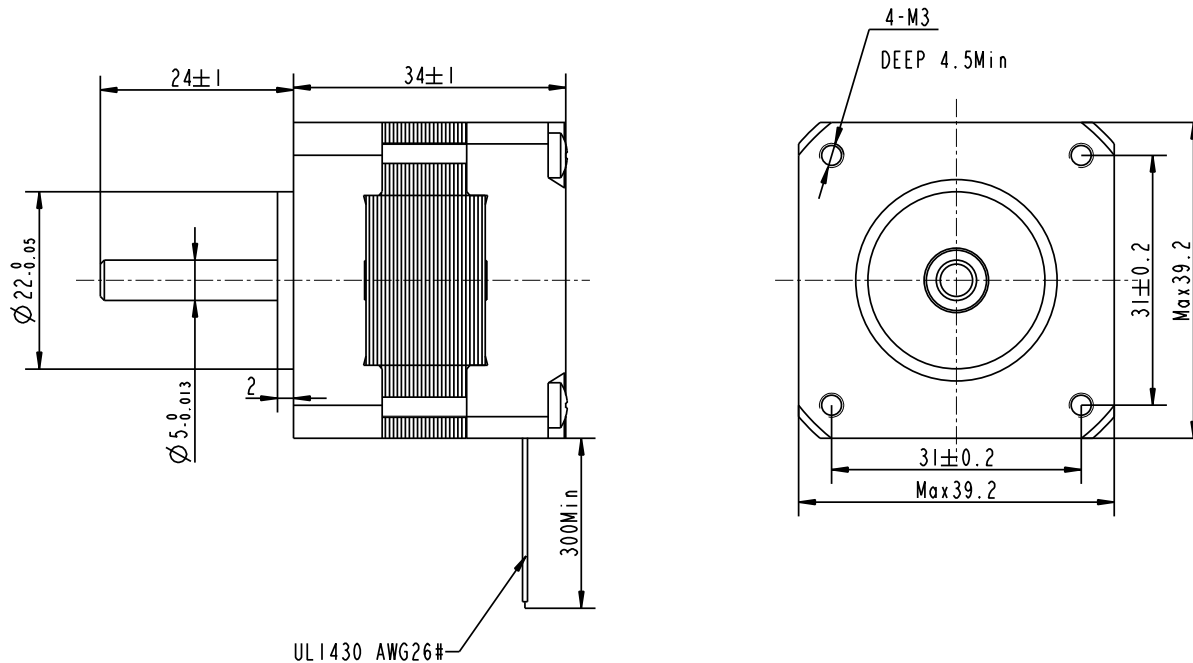
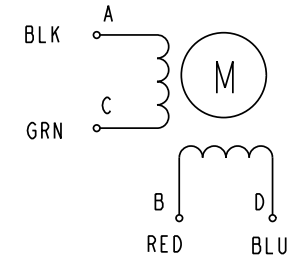


REV	ECN	NO	DESCRIPTION	DRN	APP'D	DATE



Wiring Diagram (接线图)



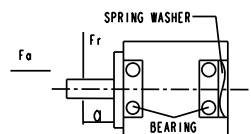
Exciting Sequence (励磁顺序)

CW DIRECTION	STEP	A	C	B	D
↓	1	+		+	
	2		+	+	
	3		+		+
	4	+			+
	1	+		+	

CW, see from flange side (顺时针 从法兰侧看)

STEP ANGLE	步距角	1.8°		
STEP ANGLE ACCURACY	步距角精度	±5%		
NUMBER OF PHASE	绕组相数	2		
RATED VOLTAGE	额定电压	12 VDC		
RATED CURRENT	额定电流	0.4 A		
RESISTANCE/PHASE	每相电阻	30±10% OHMS@20°C		
INDUCTANCE/PHASE	每相电感	43±20% mH@1kHz		
HOLDING TORQUE	保持转矩	21 N.cm		
PULL OUT TORQUE	运行转矩			
BACK EMF	反电动势			
DETTENT TORQUE	定位转矩	1.2 N.cm		
ROTOR INERTIA	转子转动惯量	20 g.cm²		
WEIGHT	重量	180 g		
TEMPERATURE RISE	温升	less than 80K(≠780#)	AXIAL-FORCE	轴向压力 Fa:10 N Max
SOURCE VOLTAGE	驱动器电压	24 VCD	DISTANCE	距离 a:10 mm
INSULATION CLASS	绝缘等级	B 130°C	RADIAL-FORCE	径向压力 Fr:28 N Max
DIELECTRIC STRENG	介电强度	500VAC 1MIN	SHAFT RADIAL PLAY	径向间隙 0.02mm Max.Ø4N
INSULATION RESIST	绝缘电阻	100MΩm @500VDC	SHAFT AXIAL PLAY	轴向间隙 0.08mm Max.Ø4N
IP CODE	防护等级	IP30		
OPERATION AMBIENT	使用环境	Ambient temperature:-25...+40°C,humidity Max.85%(No condensation)		
STORAGE AMBIENT	存储环境	Ambient temperature:-10...+35°C,humidity Max.85%(No condensation)		

PERMISSIBLE RADIAL+AXIAL FORCE
(允许轴间和轴向力)



A	REV	ECN	NO	DESCRIPTION	DESIGN	DATE	P/W.
							3.1.01.039.0016
UNLESS OTHERWISE SPECIFIED TOLERANCES:				MATERIAL	CONTR.	CHECK	TITLE
DECIMALS:							Specifications
.X ±0.5							USED ON
.XX ±0.25							FL39S34-0404A
.XXX ±0.1							DWG NO.
UNIT: mm				FIRST ANGLE PROJECTION	SCALE 1:1		REV A
DO NOT SCALE DRAWING							FULLING MOTOR
					SHEET 1 OF 1		