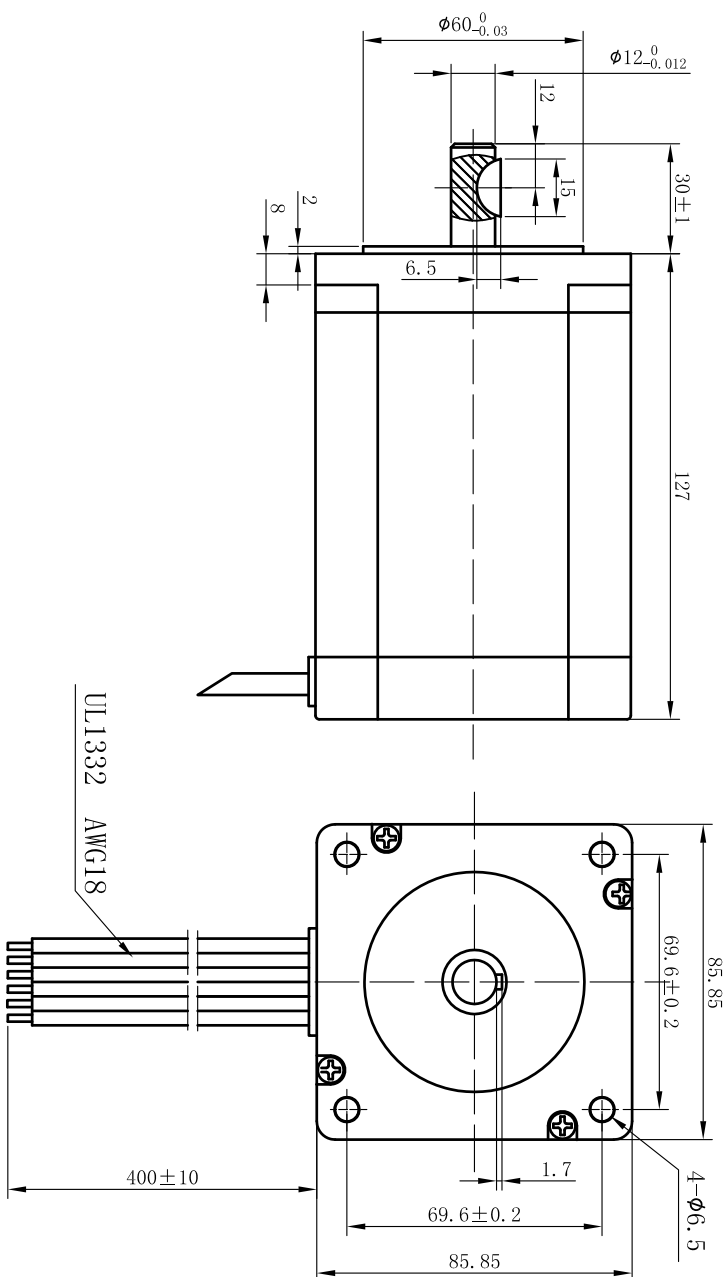
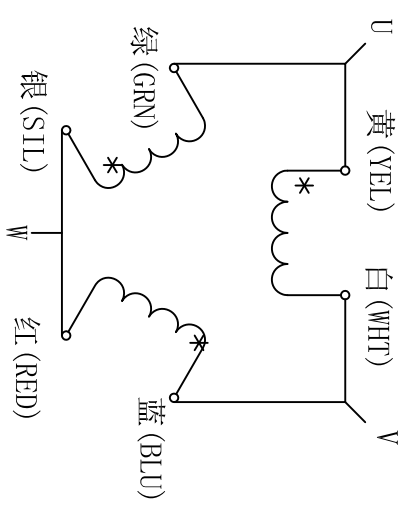


REV	ECN NO.	DESCRIPTION	DRN	APP'D	DATE

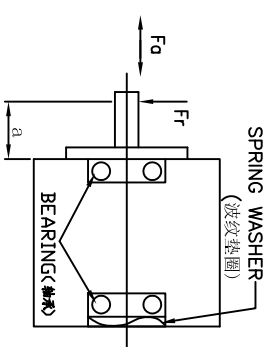
### 接线图 (Wiring Diagram)



### SPECIFICATION

STEP ANGLE	步距角	1.2°/full step(步角)
STEP ANGLE ACCURACY	步距角精度	±5%
NUMBER OF PHASE	绕组相数	3
RATED VOLTAGE	额定电压	9.4 VDC
RATED CURRENT	额定电流	5.2 A
RESISTANCE/PHASE	每相电阻	1.8±10% ohms@20°C
INDUCTANCE/PHASE	每相电感	8±20% mH@1kHz
HOLDING TORQUE	保持转矩	6.78 N.m
PULL OUT TORQUE	运行转矩	N.cm@ RPM
BACK EMF	反电势	V @300RPM
DETENT TORQUE	定位转矩	0.26 N.m
ROTOR INERTIA	转子转动惯量	2300 g.cm <sup>2</sup>
WEIGHT	重量	3.8 Kg
TEMPERATURE RISE	温升	Less than 80K(A*80)步
SOURCE VOLTAGE	驱动器电压	N/A
INSULATION CLASS	绝缘等级	B 130°C
DIELECTRIC STRENGTH	介电强度	1200VAC/1S
INSULATION RESISTANCE	绝缘电阻	100MΩhm @500VDC
IP CODE	防护等级	30
OPERATION AMBIENT	使用环境	Ambient temperature:-20...+50°C,humidity Max. 85%(No condensation)
STORAGE AMBIENT	存储环境	Ambient temperature:-20...+85°C,humidity Max. 85%(No condensation)

### PERMISSIBLE RADIAL+AXIAL FORCE (允许轴向外力和轴向力)



UNLESS OTHERWISE SPECIFIED TOLERANCES:		ANGULAR:	
.x	±0.5		±0°30'
.xx	±0.25		
.xxx	±0.1		
UNIT: mm			
DO NOT SCALE DRAWING			

DESIGN	DATE	P/N
		3.1.01.086.XXXX

TITLE	USED ON	DWG NO.	REV
Specifications	FL863P127-02AW		A

MATERIAL	CONTR.	CHECK	SCALE
			1:2

FIRST ANGLE PROJECTION	SHEET	OF

PULLING MOTOR	
---------------	--